

FieldSmart® Fibre Delivery Point (FDP)

Macro/Small Cell Wall Box



Application

Engineered to land small to medium fibre terminations in a convenient wall box design, the FieldSmart FDP Macro/Small Cell Wall Box is ideal for a variety of applications, including harsh environment locations surrounding fibre demarcation, entrance facilities, FTTP drop boxes and mobile backhaul.

Description

The FieldSmart FDP Macro/Small Cell Wall Box comes with a factory-installed cable assembly, supporting up to 24 fibres. Factory-installed cable reduces the operating costs of fibre deployment by reducing installation times.

Features and Benefits

Integrity

- RUS listed
- Complies with IEC 61300 & IP 66
- Supports industry standard SC, LC and MPO singlemode connectors
- Dual snap locks to ensure lid seals to base

Protection

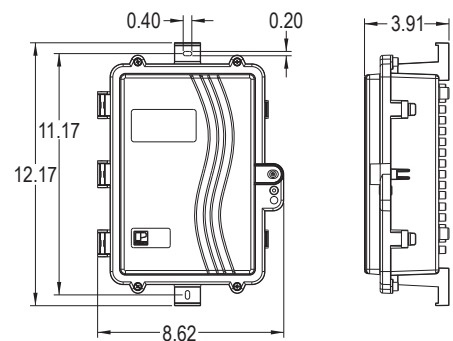
- Slack storage clips for both incoming and outgoing fibres
- Security screw with ability to secure with padlock
- Gasket seal
- Grounding lug included

Access

- Wall and pole mount
- Easy to instal with both internal and external mounting holes
- Two bottom 3/4" (19.05 mm) entry/exit ports are supported with ship-along Sealcon connectors

Investment

- Pre-connectorised cable assemblies eliminate labour and speed network construction
- Patch only
- One box for a variety of application uses



FieldSmart® Fibre Delivery Point (FDP)

Macro/Small Cell Wall Box



Technical Specifications

FieldSmart FDP Macro/Small Cell Wall Box	
Dimensions	12.17" H x 8.62" W x 3.91" D (309.12 mm x 218.95 mm x 99.31 mm)
Port Density	Up to 24 LC ports
Connector Types	SC/UPC, SC/APC, LC/UPC, LC/APC, MPO
Cable Types	Indoor Riser, Indoor Plenum, Outdoor (Riser/Non-Rated), FieldShield®
Material	UV stabilised, flame retardant polymer (PVC)
Mounting Options	Wall and Pole Mount

Configured Part Numbers

W R A - - - - Z Z 3 XXXM or XXXF

1 Select Port Count

006 = 6 ports
012 = 12 ports
024 = 24 ports (LC Only)

3 Select Mode/Type

1 = Singlemode, non-ribbon
2 = Singlemode, ribbon

XXXM = Length in metres
XXXF = Length in feet

2 Select Connector Style

A = SC/UPC
C = SC/APC
F = LC/UPC
H = LC/APC

4 Select Cable Construction

A = IFC Riser
B = OSP Riser Rated
C = IFC Plenum
E = OSP (non-rated)
M = OSP (armoured, non-rated)